

ISSUE 1:
C/R 24269
R21 & JP1 ADDED
9-5-95

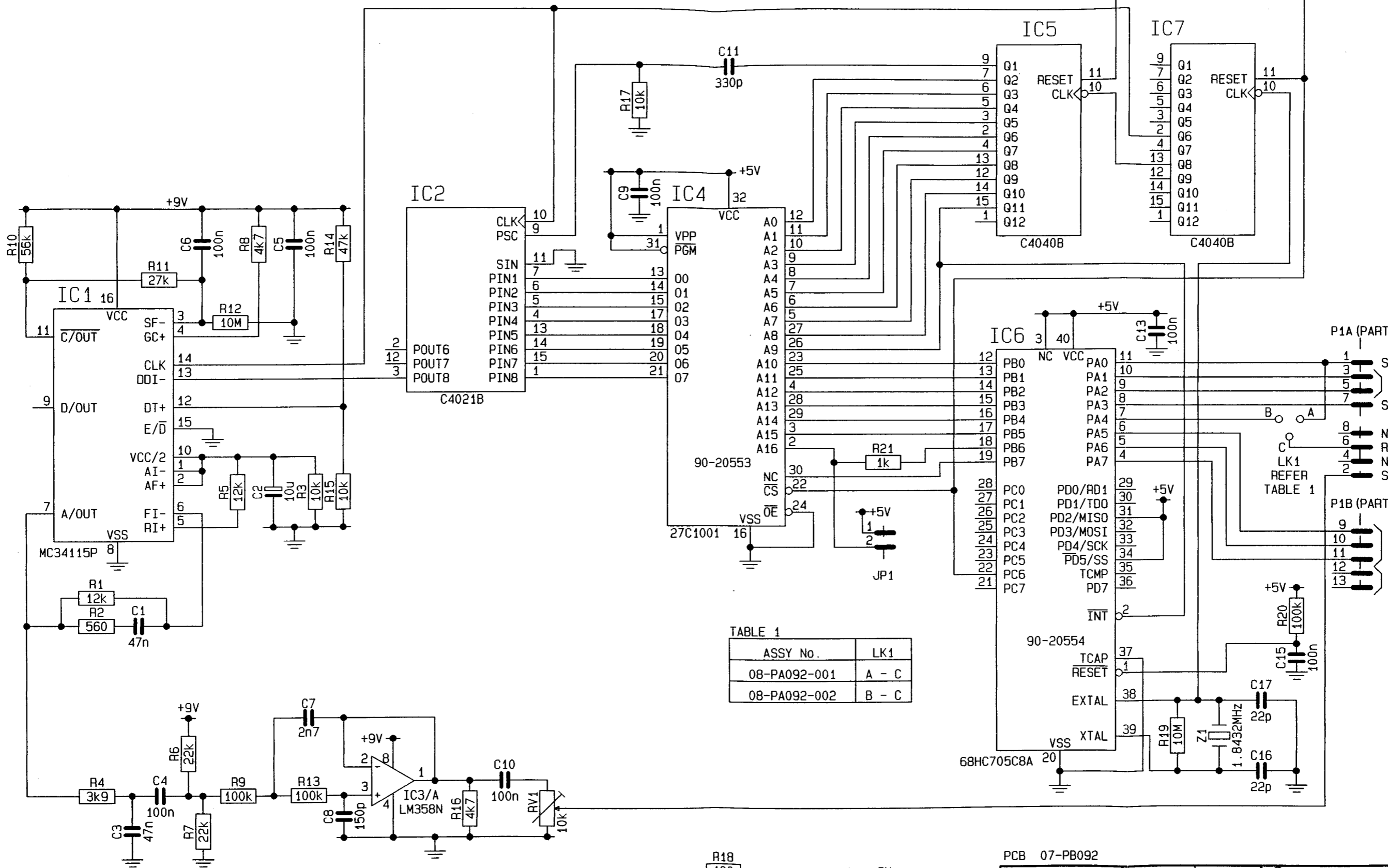
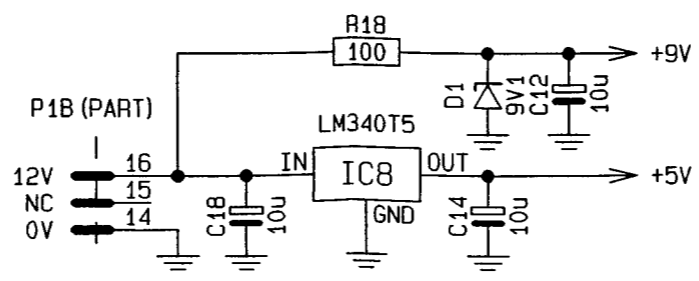
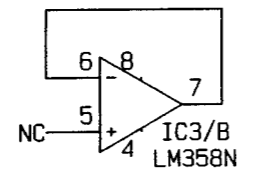


TABLE 1

ASSY No.	LK1
08-PA092-001	A - C
08-PA092-002	B - C

TABLE 2

	GND	+5V
IC2	8	16
IC5	8	16
IC7	8	16



PCB 07-PB092

	DRN	PL/CG	SCALE	© CODAN PTY. LTD. A.C.N. 007 590 605, 1994 TITLE RECORDED VOICE ANNOUNCEMENT PCB
	CHKD	IBW	DATE 19-1-95	
MATERIAL	APPD	TOLERANCES UNLESS OTHERWISE STATED 2 PLACES DEC. ± 1 PLACE DEC. ± ANGULAR ±	DRAWING/DOC. NO 04-PC092	
FINISH	ISS A	1	SHT 1 OF 1	